

DIFFERENTIAL PRESSURE SWITCH EXPLOSION PROOF TYPE DPS2000X

Combine With Switch Available
Weather Proof, Piston Type
CLASS I, GROUPS A, B, C, D;
CLASS II, GROUPS E, F, G; NEMA 4X
Range Available: 0-1-70 kg/cm² (0-14-1000psi)



DPS2000X consist of high and low pressure ports. Spring magnet couple with pointer. Differential pressure switch due to ΔP pressure of high side and low side be made from magnet couple combine with micro switch for using in controller system.

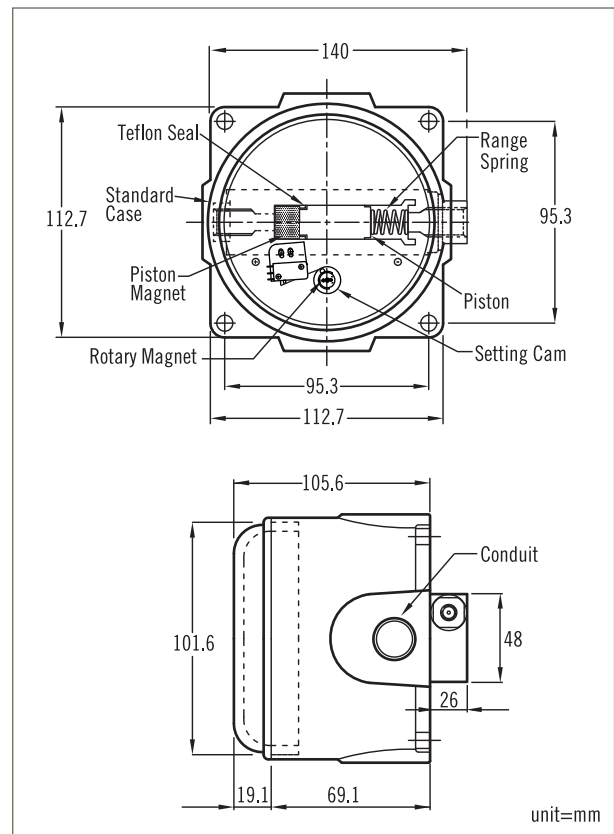
Technical Data

- Accuracy:** ±2%F.S. (Ascending)
- Housing:** Die cast aluminum alloy
- Pressure Element:** wetted parts all in SS316
- Process Connection:** ¼"NPT female, option with adaptor available
- Conduit Connection:** ½", ¾"NPT female, option available
- Working Pressure:** 200 kg/cm²
- Working Temperature:** 80°C
- Adjustable Micro Switch:** One adjustable alarm contact
- Load:** 5A/250VAC/125VAC/30VDC
- Temperature:** -25°C ~ +100°C (AMB)
- Hysteresis:** ±10% of full scale

Range Selection Table

Code	Adjustable Range		Code	Adjustable Range	
	psi	kg/cm ²		psi	kg/cm ²
09R	0~9	0~0.6	450R	0~450	0~30
11R	0~11	0~0.75	600R	0~600	0~40
14R	0~14	0~1	700R	0~700	0~50
30R	0~30	0~2	850R	0~850	0~60
40R	0~40	0~2.5	1000R	0~1000	0~70
60R	0~60	0~4			
100R	0~100	0~7			
140R	0~140	0~10			
200R	0~200	0~14			

Dimensions



Ordering Information

DPS2000X	Code	Range											
		09R 0~9psi	14R 0~14psi	40R 0~40psi	100R 0~100psi	200R 0~200psi	600R 0~600psi	850R 0~850psi					
		11R 0~11psi	30R 0~30psi	60R 0~60psi	140R 0~140psi	450R 0~450psi	700R 0~700psi	1000R 0~1000psi					
		Code	Wetted Parts Material										
		A	SS316										
		Code	Process Connection										
			(1) ¼"NPT Female (2) option										
		Code	Conduit Connection										
			(A) ½"NPT (B) ¾"NPT (C) option										
		Code	Switch Form										
		1	One SPDT										
DPS2000X													Complete Ordering Code